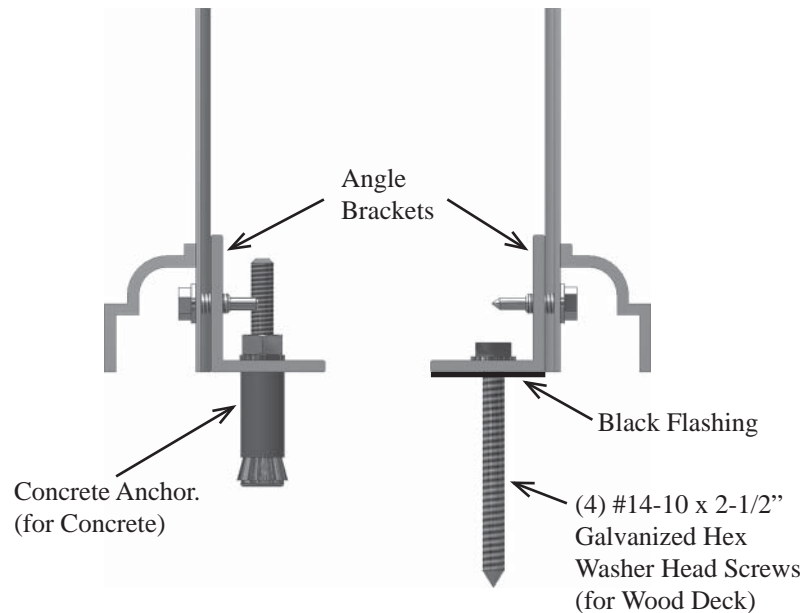


## Side View Example



**Note: (2) of the #14-10 x 2-1/2" screws Require Full Embedment in wood Per Column.**

Install Angle Brackets to deck or concrete using proper fasteners.

Slide top of Column up over the Inserts until it hits the Header. Then swing bottom end of Column into position and then slide it down over the Angle Brackets. You may have to raise Header slightly to clear top of Angle Brackets on the deck. Fasten the Column section to the Insert with (4) #12 x 3/4" self drilling screws. Attach bottom of Column to Angle Brackets with (4) #12 x 3/4" self drilling screws.

Continue this procedure to install remaining Columns.

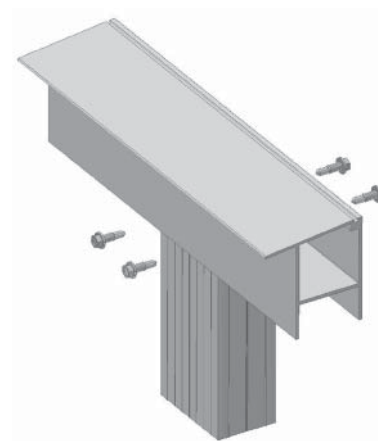


PC-08



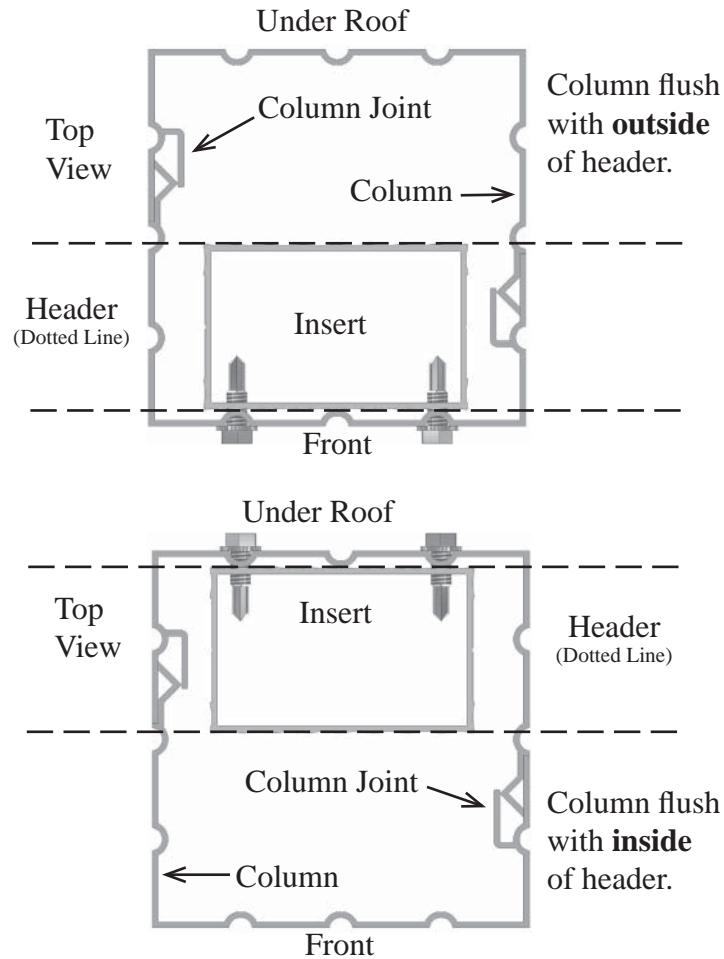
## Pillar Column Installation

Use the "Post Spacing Chart" in your Awning or Roof Instructions to determine Column locations.



At each Column location install the Insert(s) (2" x 3" x 8") included with each Column. Push the Insert(s) to the stop in the Header and fasten with #12 x 3/4" Self Drilling Screws 1/2" up from the bottom of the Header and lined up with the second radius in from each edge on the Insert(s).

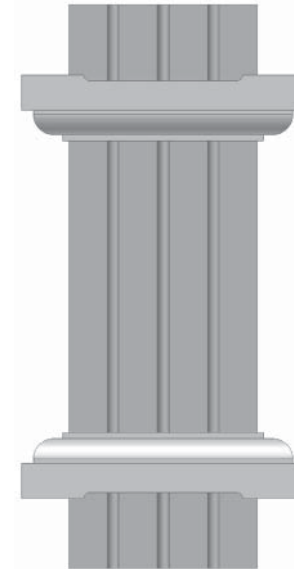
There are two ways to set up your Pillar Columns in relation to the Front Header. See Drawings.



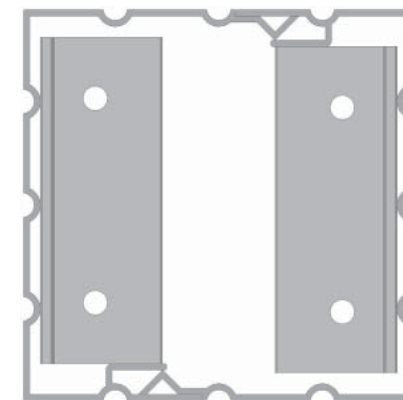
**Note:** The orientation of the Column Joints.

Columns come as a set but are to be custom cut to length at the job site. With the Header temporarily supported in its proper position measure from the bottom of Header to Deck. Cut Column pieces to length. **Helpful Hint:** Cut each Column half to length separately. Then drive the pieces together using a Dead Blow Hammer. Make sure the pieces are fully joined to the stops.

Slide the Top and Bottom Trim Collars on the Column. Make sure they are facing in the proper directions at the Top and Bottom positions.



**Note:** If you are installing Pillar Columns on a Pressure Treated Lumber Deck. With your order you will receive a 4" x 4-1/2" piece of Black Flashing with paper coated adhesive on one side for each Pillar Column. Peel the paper off from the Flashing and stick the flashing to the bottom of the Column Angle Brackets. Then trim the excess Flashing from around the Column Angle Brackets.



Locate positions on patio or deck for the two Column Angle Brackets. The Brackets must be positioned so solid sides (not joined sides) of the Column will be attached to Brackets.